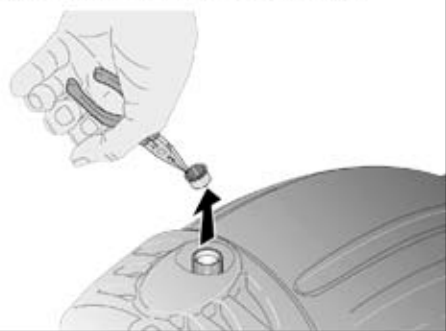
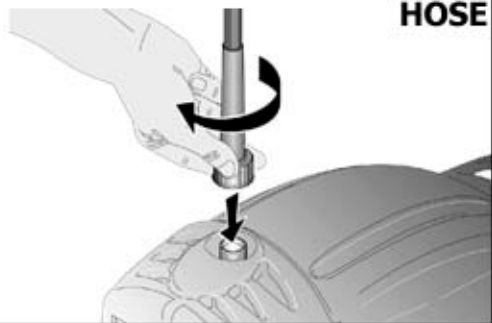


FOR EASY INSTALLATION

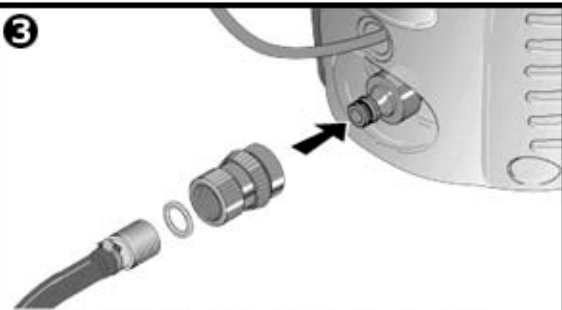
1 REMOVE THE WATER PLUG



2 CONNECT THE HIGH PRESSURE HOSE



3 CONNECT THE GARDEN HOSE



4 CONNECT TO WATER SUPPLY



5 INSERT THE WAND INTO THE SPRAY GUN



6 PLUG GFCI INTO POWER RECEPTACLE AND PRESS RESET BUTTON



7 TURN ON WATER SUPPLY



8 START THE PRESSURE WASHER

